



**GEARHEADS** Frame size 90mm sq. (3.54 in. sq.)

METAL TYPE & BALL BEARING TYPE

▶ **RATED TORQUE OF GEARHEAD**

MODEL	Speed(rpm)	500	300	200	120	100	60	50	30	20	15	10	9
	Ratio	50Hz	3	5	7.5	12.5	15	25	30	50	75	100	150
	60Hz	3.6	6	9	15	18	30	36	60	90	120	180	200
<b>L9HK□M</b>	kg-cm	7.3	12.2	18.2	30.4	36.5	54.8	65.7	99	100	100	100	100
	N-m	0.71	1.19	1.79	2.98	3.57	5.37	6.44	9.70	9.80	9.80	9.80	9.80
<b>L9HK□B</b>	oz-in	101	169	253	422	506	760	912	1375	1389	1389	1389	1389

- \* The normal torque is that the motor and gearhead are directly coupled.
- \* Insert the denominator of reduction ratio in □ of gearhead model name.
- \* Actual rotation speed is 2~15% less than synchronous speed.
- \* ■Color indicates that the rotation of gearhead shaft is in opposite direction as output shaft of motor.

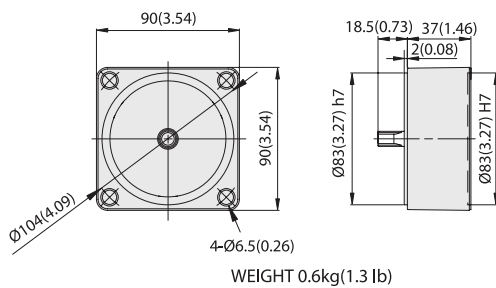
TERMINAL BOX TYPE  
REVERSIBLE MOTORS

**DIMENSIONS**

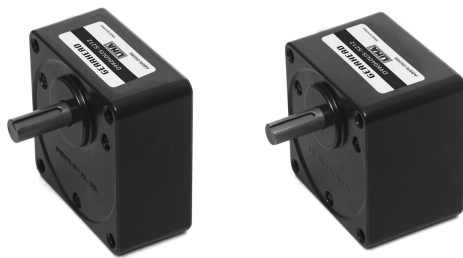
Unit : mm(inch)

**DECIMAL GEARHEAD**

**L9G10D**

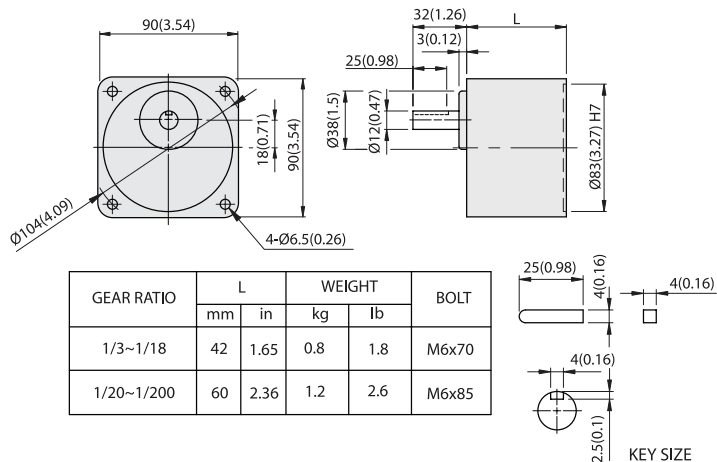


WEIGHT 0.6kg(1.3 lb)



**GEARHEAD**

**L9HK□M(B)**



**L9HK□M(B) + L9R40P□LTB**

